



■ Features :

- 2:1 wide input range
- 4:1 wide input range(optionl)
- 1500VDC I/O isolation
- 3000VDC I/O isolation(option)
- Built-in EMI filter
- Protections: Short circuit / Overload
- Cooling by free air convection
- Six-sided shield metal case
- 100% burn-in test
- Low cost / High reliability
- Approvals: FCC / EAC / CE / UKCA
- 2 years warranty

■ GTIN CODE

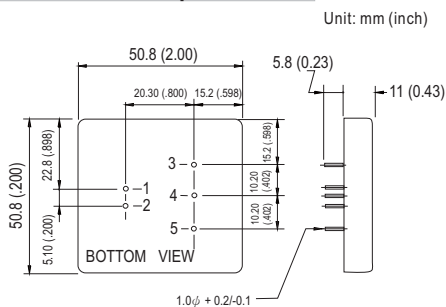
MW Search: <https://www.meanwell.com/serviceGTIN.aspx>

SPECIFICATION



ORDER NO.	DKE15A-05	DKE15B-05	DKE15C-05	DKE15A-12	DKE15B-12	DKE15C-12	DKE15A-15	DKE15B-15	DKE15C-15	DKE15A-24	DKE15B-24	DKE15C-24
OUTPUT	DC VOLTAGE			±12V			±15V			±24V		
	CURRENT RANGE			±150 ~ ±1500mA			±62.5 ~ ±625mA			±50 ~ ±500mA		
	RATED POWER			15W								
	RIPPLE & NOISE (max.) Note.2			50mVp-p			60mVp-p			80mVp-p		
	LINE REGULATION Note.3			±0.3%								
	LOAD REGULATION Note.4			±0.5%								
	VOLTAGE ACCURACY			±2.0%								
	SWITCHING FREQUENCY			150KHz min.								
INPUT	VOLTAGE RANGE											
	A: 9 ~ 18VDC B: 18~36VDC C: 36~72VDC											
	EFFICIENCY (Typ.)											
	81% 83% 79% 82% 83% 82% 82% 83% 82% 82% 84% 85%											
	DC CURRENT											
Full load A: 1700mA B: 800mA C: 400mA												
No load A: 40mA B: 20mA C: 10mA												
FILTER												
Pi network												
PROTECTION												
Fuse recommended												
PROTECTION (Note. 5)	OVER CURRENT											
	160% ~ 250% rated output power Protection type : Hiccup mode, recovers automatically after fault condition is removed											
SHORT CIRCUIT	All output equipped with short circuit											
	Protection type : Hiccup mode, recovers automatically after fault condition is removed											
ENVIRONMENT	WORKING TEMP.											
	-25~+71°C (Refer to "Derating Curve")											
	WORKING HUMIDITY											
	20% ~ 90% RH non-condensing											
	STORAGE TEMP., HUMIDITY											
-25 ~ +105°C, 10 ~ 95% RH												
TEMP. COEFFICIENT												
±0.03% / °C (0 ~ 50°C)												
VIBRATION												
10 ~ 500Hz, 2G 10min./1cycle, period for 60min. each along X, Y, Z axes												
SAFETY & EMC	SAFETY STANDARDS											
	EAC TP TC 020/2011 approved											
	WITHSTAND VOLTAGE											
	I/P-O/P: 1.5KVDC											
ISOLATION RESISTANCE												
I/P-O/P: 100M Ohms / 500VDC / 25°C / 70% RH												
EMC EMISSION												
Compliance to BS EN/EN55032 Class A, FCC part 15 Class A, EAC TP TC 020												
EMC IMMUNITY												
Compliance to BS EN/EN61000-4-2,3,4,5,6,8, light industry level, criteria A, EAC TP TC 020												
OTHERS	MTBF											
	300Khrs min. MIL-HDBK-217F (25°C)											
	DIMENSION											
50.8*50.8*11.0mm or 2**2**0.43" inch (L*W*H)												
PACKING												
60g ; 5pcs/per tube, 200pcs/40 tube/per carton												

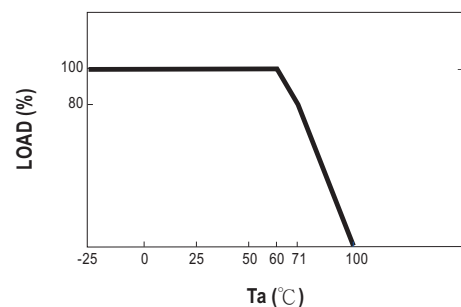
■ Mechanical Specification



■ Pin Configuration

Pin No.	Output
1	+Vin
2	-Vin
3	+Vout
4	COM
5	-Vout

■ Derating Curve

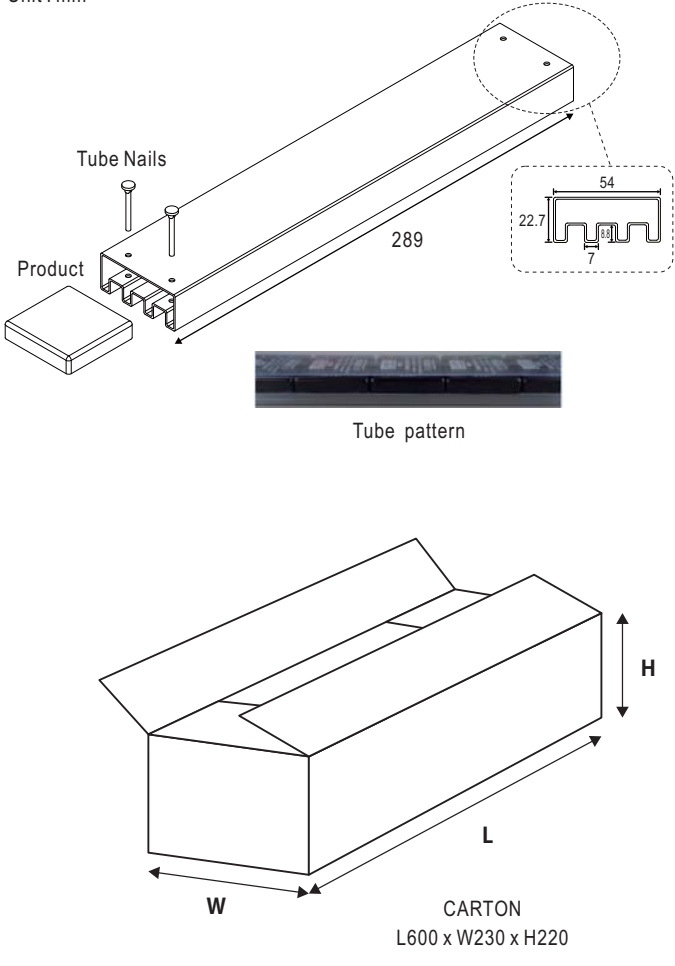


NOTE

- 1.All parameters are specified at normal input, rated load, 25°C 70% RH ambient.
 - 2.Ripple & noise are measured at 20MHz by using a 12" twisted pair terminated with a 0.1uf & 47uf capacitor.
 - 3.Line regulation is measured from low line to high line at rated load.
 - 4.Load regulation is measured from 10% to 100% rated load.
 - 5.Please prevent the converter from operating in overload or short circuit condition for more than 30 seconds.
- ※ Product Liability Disclaimer : For detailed information, please refer to <https://www.meanwell.com/serviceDisclaimer.aspx>



Packing

Standard Tube Packing	MPQ Per Tube (PCS)	One Tube G.W.	Max. Q'TY/ Carton(PCS)	One Carton G.W.
<p>Unit : mm</p>  <p>Product</p> <p>Tube Nails</p> <p>289</p> <p>54</p> <p>22.7</p> <p>7</p> <p>Tube pattern</p> <p>W</p> <p>L</p> <p>H</p> <p>CARTON L600 x W230 x H220</p>	5	360g	200	15.2Kg

Installation Manual

Please refer to : <http://www.meanwell.com/manual.html>