



Features

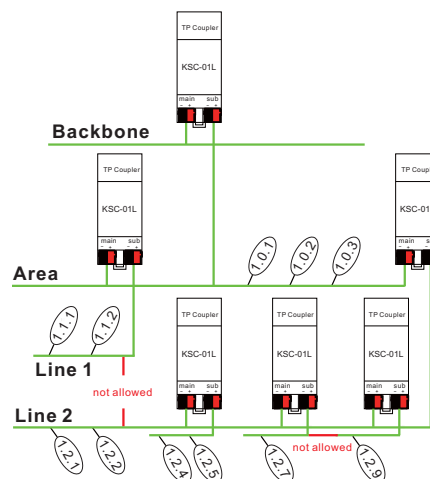
- KNX TP Line coupler/Repeater
- Telegram filtering function
- Long messages support up to 240 byte APDU
- Trace the subline traffic
- Diagnostic functions
- Manual function
- 3 years warranty

Applications

- Office lighting
- Smart home lighting
- Luxury villas lighting
- LED indoor lighting
- Building automation

Description

The KNX TP Media Coupler KSC works as a KNX line/area coupler to provide a bi-directional data connection between two KNX TP lines/areas. KNX TP main line and KNX TP subline are coupled having a galvanic isolation in between. Using the TP Coupler application, KSC can be used as a KNX TP line coupler to connect several KNX TP lines but also as a KNX TP area coupler to connect several TP areas or different KNX TP installation systems via a TP Backbone. Telegram filtering is accomplished according to the installation place in the hierarchy and according to the built-in filter tables for group communication. For detailed diagnosis all operational modes/states are shown by a duo-LED display. Using the TP Repeater application, KSC is able to extend a KNX TP line providing unfiltered data transfer and galvanic isolation between segments. Up to four-line segments can form a single KNX TP line by connecting three KSC line repeaters. Each line segment requires its own KNX bus power supply unit. To ease commissioning and troubleshooting



Order Information

Model No.	Function	Note
KSC-01L	KNX classic TP Line coupler/Repeater	In Stock
KSC-02L	KNX Secure Line coupler/Repeater	By request



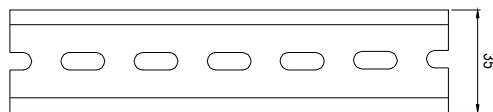
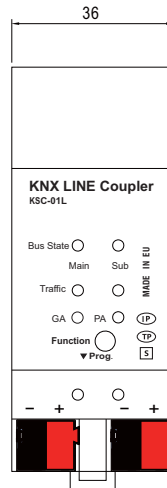
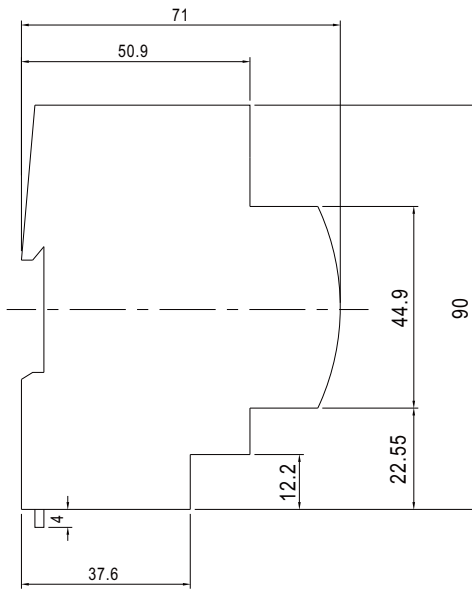
KNX LINE Coupler

KSC series**SPECIFICATION**

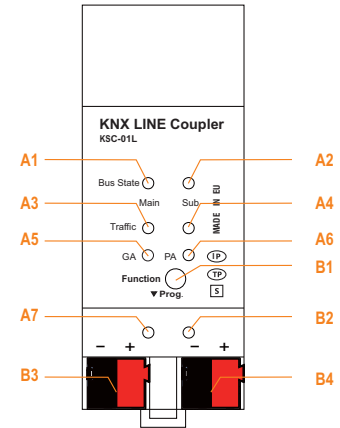
MODEL		KSC series
SUB LINE	INTERFACE	KNX Protocol
	INPUT VOLTAGE	21~30VDC(KNX TP bus)
	LED INDICATOR	Various color see mechanical specification part
MAIN LINE	INTERFACE	KNX Protocol
	INPUT VOLTAGE	21~30VDC(KNX TP bus)
	CURRENT CONSUMPTION	<10mA(KNX mainTP line)
ENVIRONMENT	WORKING TEMP.	-5 ~ +45°C
	WORKING HUMIDITY	20 ~ 90% RH non-condensing
	STORAGE TEMP., HUMIDITY	-20 ~ +60°C, 5 ~ 93% RH non-condensing
	POLLUTION DEGREE	2 according to IEC60664-1
	PROTECTION TYPE	IP20 according to IEC60529
SAFETY & EMC	SAFETY STANDARDS	EAC TP TC 004 approved; Compliance to EN60669
	KNX STANDARDS	ISO/IEC 14543-3, EN50090, EN13321-1
	EMC EMISSION	Compliance to EN50491-5, EN61000-6, EAC TP TC 020
	EMC IMMUNITY	Compliance to EN61000-4-2,3,4,5,6,11, EAC TP TC 020
OTHERS	MTBF	100K hrs min.
	DIMENSION	36*90*71mm (W*H*D)
	DIN RAIL MOUNTING	35 mm rail; 2 units wide
	PACKING	0.076Kg; 1pcs

■ Mechanical Specification

Case No. Unit:mm



ADMISSIBLE DIN-RAIL: TS35/7.5 OR TS35/15



- A1: Bus state KNX TP (Main line)**
green: Main line OK
red: Manual Function active
- A2: Bus state KNX TP (Subline)**
green: Subline OK
- A3: Telegram traffic KNX TP (Main line)**
green, blink.: Telegram traffic extent
red, blink.: Transmission error
- A4: Telegram traffic KNX TP (Subline)**
green, blink.: Telegram traffic extent
red, blink.: Transmission error
- A5: Group Address routing**
green: Filter active
orange: Route all
red: Block all
<off>: Main line / subline different
- A6: Physical Address routing**
green: Filter active
orange: Route all
red: Block all
<off>: Main line / subline different
- A7: Programming**
red: Program Mode
- B1: Function button**
- B2: Program button**
- B3: KNX TP connector Main line**
- B4: KNX TP connector Subline**

■ Configuration and Commissioning

The application program(data base) for ETS can be downloaded via
<http://www.meanwell.com/productCatalog.aspx>

■ Installation Manual

Please refer to : <http://www.meanwell.com/manual.html>