



Features :

- 2:1 wide input range
- 4:1 wide input range(option)
- 1500VDC I/O isolation
- 3000VDC I/O isolation(option)
- Built-in EMI filter
- Protections: Short circuit / Overload
- Cooling by free air convection
- Six-sided shield metal case
- 100% burn-in test
- Low cost / High reliability
- Approvals: FCC / EAC / CE / UKCA
- 2 years warranty

GTIN CODE

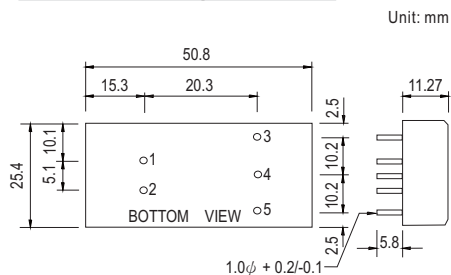
MW Search: <https://www.meanwell.com/serviceGTIN.aspx>



SPECIFICATION

ORDER NO.	DKE10A-05	DKE10B-05	DKE10C-05	DKE10A-12	DKE10B-12	DKE10C-12	DKE10A-15	DKE10B-15	DKE10C-15	DKE10A-24	DKE10B-24	DKE10C-24			
OUTPUT	DC VOLTAGE			±5V			±12V			±15V			±24V		
	CURRENT RANGE			±100 ~ ±1000mA			±42 ~ ±420mA			±33.3 ~ ±333mA			±21 ~ ±210mA		
	RATED POWER												10W		
	RIPPLE & NOISE (max.) Note.2			50mVp-p			60mVp-p			60mVp-p			80mVp-p		
	LINE REGULATION Note.3			±0.3%											
	LOAD REGULATION Note.4			±0.5%											
	VOLTAGE ACCURACY			±2.0%											
SWITCHING FREQUENCY			250KHz min.												
INPUT	VOLTAGE RANGE												A: 9 ~ 18VDC B: 18 ~ 36VDC C: 36 ~ 72VDC		
	EFFICIENCY (Typ.)												78% 81% 82% 80% 80% 83% 80% 80% 82% 82% 81% 85%		
	DC CURRENT			Full load			A: 1100mA B: 530mA C: 270mA			No load			A: 30mA B: 16mA C: 8mA		
	FILTER												Pi network		
	PROTECTION												Fuse recommended		
PROTECTION (Note. 5)	OVER CURRENT												160% ~ 250% rated output power Protection type : Hiccup mode, recovers automatically after fault condition is removed		
	SHORT CIRCUIT												All output equipped with short circuit Protection type : Hiccup mode, recovers automatically after fault condition is removed		
ENVIRONMENT	WORKING TEMP.												-25 ~ +71°C (Refer to "Derating Curve")		
	WORKING HUMIDITY												20% ~ 90% RH non-condensing		
	STORAGE TEMP., HUMIDITY												-25 ~ +105°C, 10 ~ 95% RH		
	TEMP. COEFFICIENT												±0.03% / °C (0 ~ 50°C)		
	VIBRATION												10 ~ 500Hz, 2G 10min./1cycle, period for 60min. each along X, Y, Z axes		
SAFETY & EMC	SAFETY STANDARDS												EAC TP TC 020/2011 approved		
	WITHSTAND VOLTAGE												I/P-O/P:1.5KVDC		
	ISOLATION RESISTANCE												I/P-O/P: 100M Ohms / 500VDC / 25°C / 70% RH		
	EMC EMISSION												Compliance to BS EN/EN55032 Class A, FCC part 15 Class A, EAC TP TC 020		
	EMC IMMUNITY												Compliance to BS EN/EN61000-4-2,3,4,5,6,8, light industry level, criteria A, EAC TP TC 020		
OTHERS	MTBF												500Khrs min. MIL-HDBK-217F(25°C)		
	DIMENSION												50.8*25.4*11.2mm or 2**1**0.44" inch (L*W*H)		
	PACKING												31.2g ; 10pcs/per tube, 400pcs/40 tube/per carton		

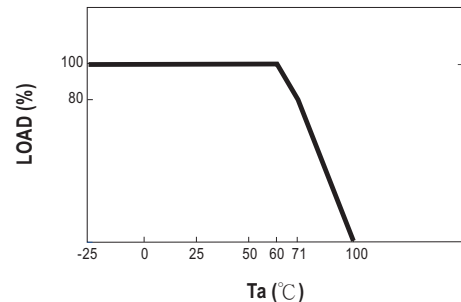
Mechanical Specification



Pin Configuration

Pin No.	Output
1	+Vin
2	-Vin
3	+Vout
4	COM
5	-Vout

Derating Curve

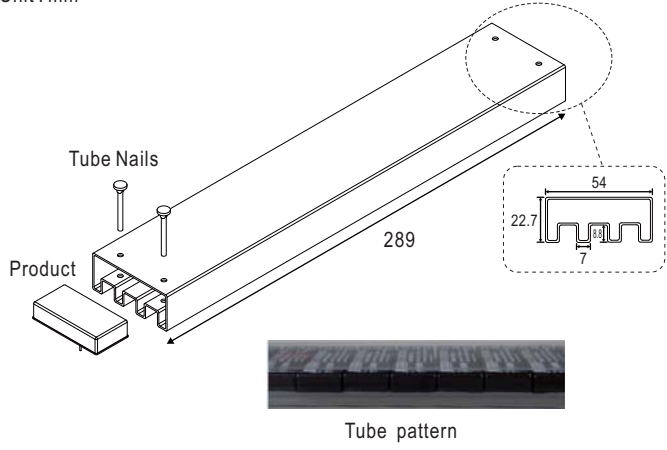
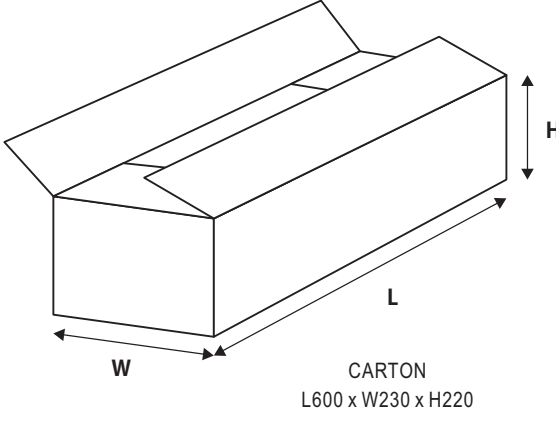


NOTE

- 1.All parameters are specified at normal input, rated load, 25°C 70% RH ambient.
 - 2.Ripple & noise are measured at 20MHz by using a 12" twisted pair terminated with a 0.1uf & 47uf capacitor.
 - 3.Line regulation is measured from low line to high line at rated load.
 - 4.Load regulation is measured from 10% to 100% rated load.
 - 5.Please prevent the converter from operating in overload or short circuit condition for more than 30 seconds.
- ※ Product Liability Disclaimer : For detailed information, please refer to <https://www.meanwell.com/serviceDisclaimer.aspx>



■ Packing

Standard Tube Packing	MPQ Per Tube (PCS)	One Tube G.W.	Max. Q'TY/ Carton(PCS)	One Carton G.W.
<p>Unit : mm</p>  <p>Tube pattern</p>  <p>CARTON L600 x W230 x H220</p>	10	400g	400	16.8Kg

■ Installation Manual

Please refer to : <http://www.meanwell.com/manual.html>