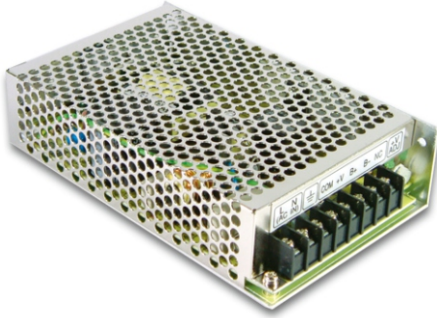




55W Single Output with Battery Charger(UPS Function)

AD-55 series



■ Features :

- Universal AC input / Full range
- Protections: Short circuit / Overload / Over voltage
- Battery low protections
- Cooling by free air convection
- 100% full load burn-in test
- Fixed switching frequency at 45KHz
- 2 years warranty

■ GTIN CODE

MW Search: <https://www.meanwell.com/serviceGTIN.aspx>

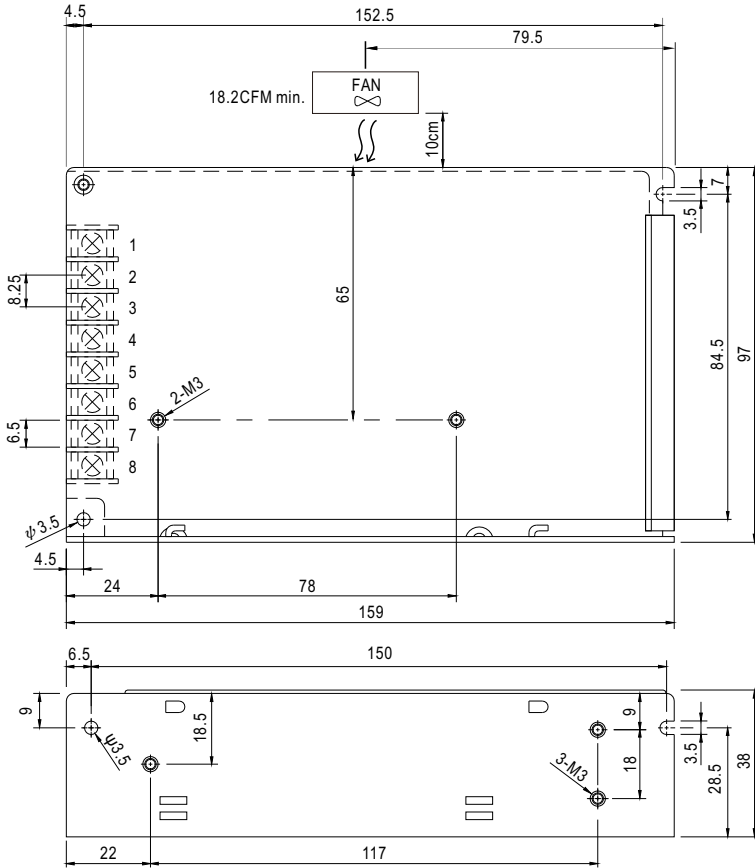
SPECIFICATION

| MODEL | AD-55A | | AD-55B | | |
|-----------------------|---|---|--------------------------|----------------------------------|-------|
| OUTPUT | OUTPUT NUMBER | CH1 | CH2 | CH1 | CH2 |
| | DC VOLTAGE | 13.8V | 13.4V | 27.6V | 26.5V |
| | RATED CURRENT | 3.5A | 0.23A | 1.8A | 0.16A |
| | CURRENT RANGE | 0 ~ 4A | ----- | 0 ~ 2A | ----- |
| | RATED POWER | 51.38W | | 53.92W | |
| | RIPPLE & NOISE (max.) Note.2 | 100mVp-p | | 100mVp-p | |
| | VOLTAGE ADJ. RANGE | CH1: 12 ~ 14.5V | | CH1: 24 ~ 29V | |
| | VOLTAGE TOLERANCE Note.3 | ±1.0% | | ±1.0% | |
| | LINE REGULATION | ±0.5% | | ±0.5% | |
| | LOAD REGULATION | ±0.5% | | ±0.5% | |
| | SETUP, RISE TIME | 800ms, 50ms/230VAC | | 1600ms, 50ms/115VAC at full load | |
| HOLD UP TIME (Typ.) | 80ms/230VAC | | 16ms/115VAC at full load | | |
| INPUT | VOLTAGE RANGE | 88 ~ 264VAC | | 124 ~ 370VDC | |
| | FREQUENCY RANGE | 47 ~ 63Hz | | | |
| | EFFICIENCY (Typ.) | 71% | | 74% | |
| | AC CURRENT (Typ.) | 1.6A/115VAC | | 1A/230VAC | |
| | INRUSH CURRENT (Typ.) | COLD START 20A/115VAC | | 40A/230VAC | |
| LEAKAGE CURRENT | <1mA / 240VAC | | | | |
| PROTECTION | OVERLOAD | 105 ~ 150% rated output power Protection type : AC Charging Mode : Hiccup mode, recovers automatically after fault condition is removed UPS Mode : Protected by internal fuse | | | |
| | OVER VOLTAGE | CH1:15.87 ~ 18.63V | | CH1:31.74 ~ 37.26V | |
| | BATTERY LOW | 9.5 ~ 11V | | 20 ~ 22V | |
| FUNCTION | DC ALARM SIGNAL(OPTIONAL) | AC fail CN1 PIN2 Battery low under charge voltage 82.5%±2% CN1 PIN1 Normal 0.8V max. Abnormal 5V±0.5V | | | |
| | WORKING TEMP. | -10 ~ +60°C (Refer to "Derating Curve") | | | |
| | WORKING HUMIDITY | 20 ~ 90% RH non-condensing | | | |
| ENVIRONMENT | STORAGE TEMP., HUMIDITY | -20 ~ +85°C, 10 ~ 95% RH | | | |
| | TEMP. COEFFICIENT | ±0.03%/°C (0~50°C) on CH1 output | | | |
| | VIBRATION | 10 ~ 500Hz, 2G 10min./1cycle, 60min. each along X, Y, Z axes | | | |
| | SAFETY STANDARDS | UL62368-1, TUV BS EN/EN62368-1, AS/NZS 62368.1, EAC TP TC 004 approved | | | |
| SAFETY & EMC (Note 4) | WITHSTAND VOLTAGE | I/P-O/P:3KVAC I/P-FG:2KVAC O/P-FG:0.5KVAC | | | |
| | ISOLATION RESISTANCE | I/P-O/P, I/P-FG, O/P-FG:100M Ohms / 500VDC / 25°C/ 70% RH | | | |
| | EMC EMISSION | Compliance to BS EN/EN55032 (CISPR32) Class B, BS EN/EN61000-3-2,-3, EAC TP TC 020 | | | |
| | EMC IMMUNITY | Compliance to BS EN/EN61000-4-2,3,4,5,6,8,11, BS EN/EN55035, light industry level, EAC TP TC 020 | | | |
| OTHERS | MTBF | 2380.9K hrs min. Telcordia SR-332 (Bellcore) ; 548.7K hrs min. MIL-HDBK-217F (25°C) | | | |
| | DIMENSION | 159*97*38mm (L*W*H) | | | |
| | PACKING | 0.5Kg; 24pcs/12.6Kg/0.83CUFT | | | |
| NOTE | <ol style="list-style-type: none"> 1. All parameters NOT specially mentioned are measured at 230VAC input, rated load and 25°C of ambient temperature. 2. Ripple & noise are measured at 20MHz of bandwidth by using a 12" twisted pair-wire terminated with a 0.1 μF & 47 μF parallel capacitor. 3. Tolerance : includes set up tolerance, line regulation and load regulation. 4. The power supply is considered a component which will be installed into a final equipment. All the EMC tests are been executed by mounting the unit on a 360mm*360mm metal plate with 1mm of thickness. The final equipment must be re-confirmed that it still meets EMC directives. For guidance on how to perform these EMC tests, please refer to "EMI testing of component power supplies." (as available on https://www.meanwell.com/Upload/PDF/EMI_statement_en.pdf) 5. The ambient temperature derating of 3.5°C/1000m with fanless models and of 5°C/1000m with fan models for operating altitude higher than 2000m(6500ft). ※ Product Liability Disclaimer : For detailed information, please refer to https://www.meanwell.com/serviceDisclaimer.aspx | | | | |

Mechanical Specification

(Unit: mm , tolerance ± 1 mm)

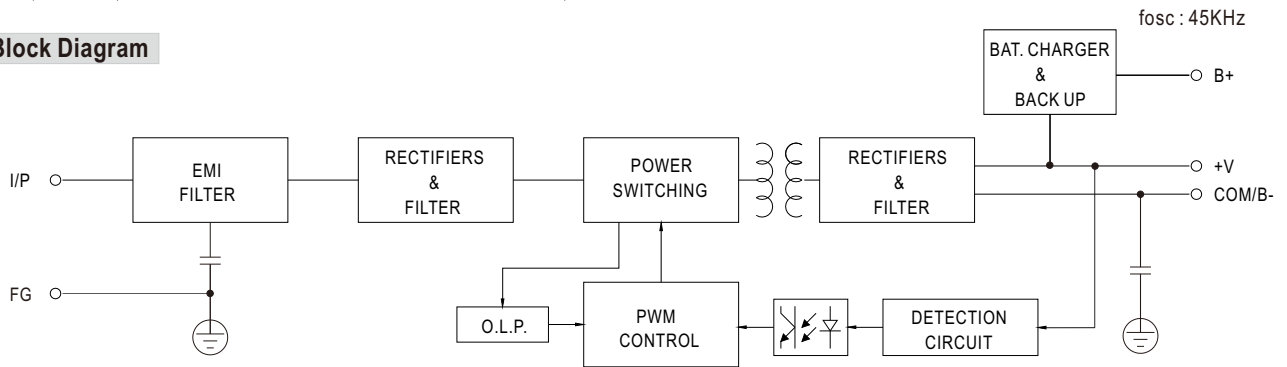
Case No. 901



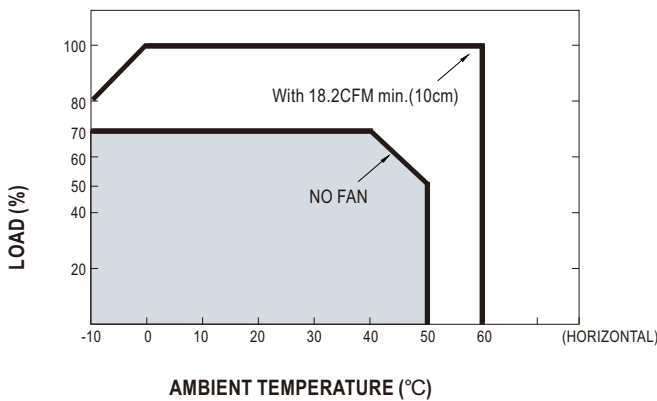
Terminal Pin No. Assignment :

| Pin No. | Assignment | Pin No. | Assignment |
|---------|---------------|---------|--------------|
| 1 | AC/L | 5 | DC OUTPUT +V |
| 2 | AC/N | 6 | BAT. + |
| 3 | FG \perp | 7 | BAT. -/COM |
| 4 | DC OUTPUT COM | 8 | NC |

Block Diagram



Derating Curve



Static Characteristics (A)

