



15W DC-DC Regulated Dual Output Converter

DKA15 series



■ Features :

- 2:1 wide input range
- 4:1 wide input range(option)
- 1500VDC I/O isolation
- 3000VDC I/O isolation(option)
- Built-in EMI filter
- Protections: Short circuit / Overload
- Cooling by free air convection
- Six-sided shield metal case
- 100% burn-in test
- Low cost / High reliability
- Approvals: FCC / EAC / CE / UKCA
- 2 years warranty

■ GTIN CODE

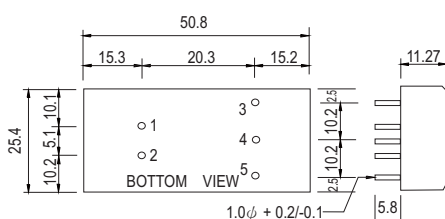
MW Search: <https://www.meanwell.com/serviceGTIN.aspx>

SPECIFICATION

ORDER NO.	DKA15A-05	DKA15B-05	DKA15C-05	DKA15A-12	DKA15B-12	DKA15C-12	DKA15A-15	DKA15B-15	DKA15C-15	
OUTPUT	DC VOLTAGE	±5V			±12V			±15V		
	CURRENT RANGE	±150 ~ ±1500mA			±62.5 ~ ±625mA			±50 ~ ±500mA		
	RATED POWER	15W								
	RIPPLE & NOISE (max.) Note.2	50mVp-p			60mVp-p			60mVp-p		
	LINE REGULATION Note.3	±0.2%								
	LOAD REGULATION Note.4	±0.5%								
	VOLTAGE ACCURACY	±2.0%								
	SWITCHING FREQUENCY	150KHz min.								
INPUT	EXTERNAL CAPACITANCE LOAD (max.)	1200uF	1200uF	330uF	820uF	820uF	220uF	680uF	680uF	100uF
	VOLTAGE RANGE	A: 9 ~ 18VDC B: 18 ~ 36VDC C: 36 ~ 72VDC								
	EFFICIENCY (Typ.)	80%	80%	82%	83%	80%	82%	83%	80%	82%
	DC CURRENT	Full load	A: 1600mA B: 800mA C: 400mA							
	No load	A: 30mA B: 30mA C: 15mA								
FILTER	Pi network									
PROTECTION	Fuse recommended									
PROTECTION (Note. 5)	OVER CURRENT	110% ~ 250% rated output power Protection type : Hiccup mode, recovers automatically after fault condition is removed								
	SHORT CIRCUIT	All output equipped with short circuit Protection type : Hiccup mode, recovers automatically after fault condition is removed								
ENVIRONMENT	WORKING TEMP.	-40 ~ +71°C (Refer to "Derating Curve")								
	WORKING HUMIDITY	20% ~ 90% RH non-condensing								
	STORAGE TEMP., HUMIDITY	-40 ~ +105°C, 10 ~ 95% RH								
	TEMP. COEFFICIENT	±0.03% / °C (0 ~ 50°C)								
	VIBRATION	10 ~ 500Hz, 2G 10min./1cycle, period for 60min. each along X, Y, Z axes								
SAFETY & EMC	SAFETY STANDARDS	EAC TP TC 020/2011 approved								
	WITHSTAND VOLTAGE	I/P-O/P:1.5KVDC								
	ISOLATION RESISTANCE	I/P-O/P: 100M Ohms / 500VDC / 25°C / 70% RH								
	EMC EMISSION	Compliance to BS EN/EN55032 Class A, FCC part 15 Class A, EAC TP TC 020								
OTHERS	EMC IMMUNITY	Compliance to BS EN/EN61000-4-2,3,4,5,6,8, light industry level, criteria A, EAC TP TC 020								
	MTBF	300Khrs min. MIL-HDBK-217F (25°C)								
	DIMENSION	50.8*25.4*11.27mm or 2**1**0.44" inch (L*W*H)								
PACKING	31.2g ; 10pcs/per tube, 400pcs/40 tube/per carton									

■ Mechanical Specification

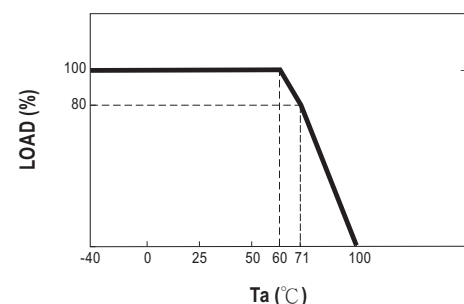
Unit: mm (inch)



■ Pin Configuration

Pin No.	Output
1	+Vin
2	-Vin
3	+Vout
4	COM
5	-Vout

■ Derating Curve

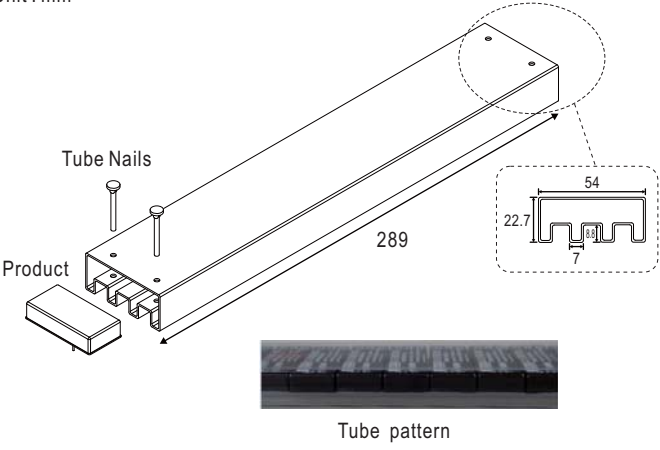
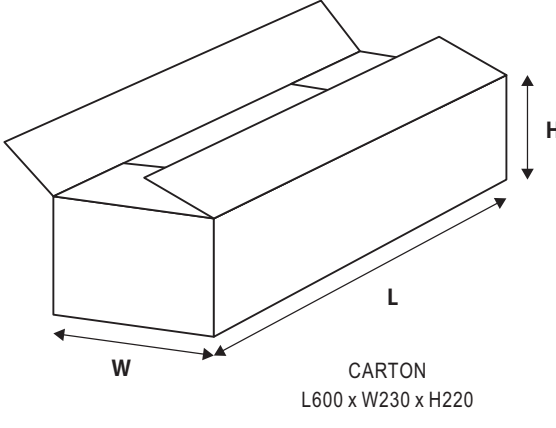


NOTE

1. All parameters are specified at normal input, rated load, 25°C 70% RH ambient.
 2. Ripple & noise are measured at 20MHz by using a 12" twisted pair terminated with a 0.1uF & 47uF capacitor.
 3. Line regulation is measured from low line to high line at rated load.
 4. Load regulation is measured from 10% to 100% rated load.
 5. Please prevent the converter from operating in overload or short circuit condition for more than 30 seconds.
- ※ Product Liability Disclaimer : For detailed information, please refer to <https://www.meanwell.com/serviceDisclaimer.aspx>



■ Packing

Standard Tube Packing	MPQ Per Tube (PCS)	One Tube G.W.	Max. Q'TY/ Carton(PCS)	One Carton G.W.
<p>Unit : mm</p>  <p>Tube pattern</p>  <p>CARTON L600 x W230 x H220</p>	10	400g	400	16.8Kg

■ Installation Manual

Please refer to : <http://www.meanwell.com/manual.html>