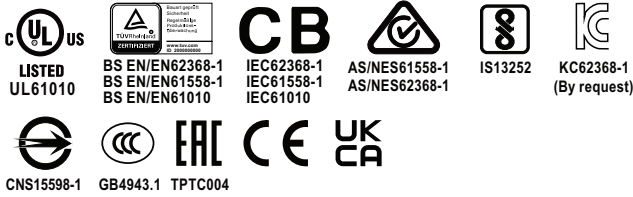
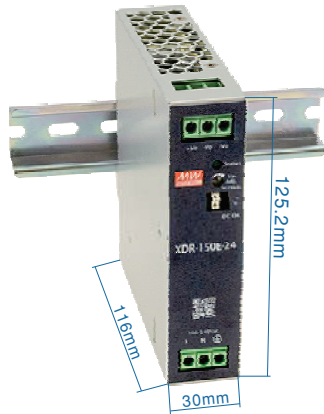




150W AC/DC Economical Ultra Slim Industrial DIN Rail Power **XDR-150E** series



■ Features

- 85~264Vac input range
- Global certificates in multi-fields (ITE 62368-1, Industrial 61558-1/-2-16, 61010)
- 30mm slim width
- High efficiency up to 91% and no load power dissipation < 1W
- Built-in constant current limiting circuit
- Protections: Short circuit / Overload / Over voltage / Over temperature
- Fanless design, cooling by free air convection
- Over voltage category III (OVC III)
- -40~+70°C wide range operation temperature (>+50°C derating)
- Operating altitude up to 5000 meters
- Built-in DC OK relay contact
- Can be installed on DIN rail TS-35/7.5 or 15
- 3 years warranty

■ Applications

- Industrial control system
- Semiconductor fabrication equipment
- Factory automation
- Electro-mechanical apparatus
- Battery charger

■ GTIN CODE

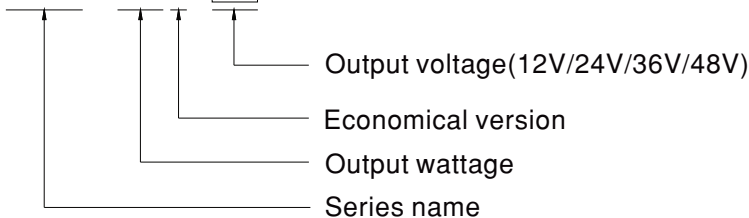
MW Search: <https://www.meanwell.com/serviceGTIN.aspx>

■ Description

The XDR-150E series is a 150W AC/DC economical ultra slim industrial DIN rail power. Key features of this series include a narrow 30mm casing, optimizing system installation space, and an ultra-wide input range of 85~264Vac suitable for global use. It boasts a maximum efficiency of 91% and a low standby power consumption < 1W for energy savings and carbon reduction. It has built-in constant current, fanless design, a wide operating temperature range of -40 to +70°C (up to +50°C at full load); OVCIII compliance; built-in DC OK signal. With comprehensive protection functions, complete safety certifications, and a 3-years warranty, the XDR-150E series is a compact, high-performance, and highly reliable DIN rail power supply.

■ Model Encoding

XDR - 150E - 24



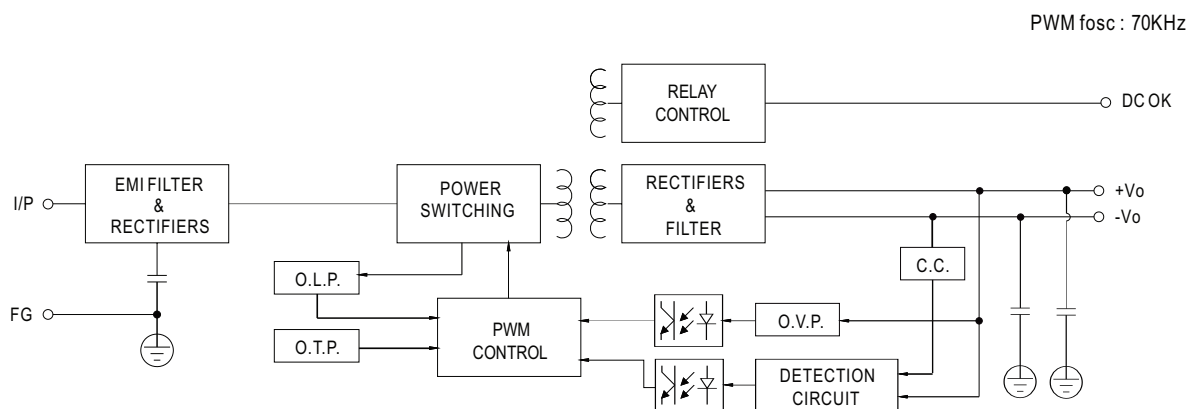
SPECIFICATION

MODEL		XDR-150E-12	XDR-150E-24	XDR-150E-36	XDR-150E-48	
OUTPUT	DC VOLTAGE	12V	24V	36V	48V	
	RATED CURRENT	115VAC	10A	5.2A	3.46A	2.6A
		230VAC	11A	6.5A	4.33A	3.25A
	CURRENT RANGE	115VAC	0 ~ 10A	0 ~ 5.2A	0 ~ 3.46A	0 ~ 2.6A
		230VAC	0 ~ 11A	0 ~ 6.5A	0 ~ 4.33A	0 ~ 3.25A
	RATED POWER	115VAC	120W	124.8W	124.6W	124.8W
		230VAC	132W	156W	155.9W	156W
	RIPPLE & NOISE (max.)	Note.2	100mVp-p	120mVp-p	150mVp-p	200mVp-p
	VOLTAGE ADJ. RANGE		12 ~ 15V	24 ~ 29V	36 ~ 42V	48 ~ 55V
	VOLTAGE TOLERANCE	Note.3	± 2.0%	± 1.0%	± 1.0%	± 1.0%
	LINE REGULATION		± 0.5%	± 0.5%	± 0.5%	± 0.5%
LOAD REGULATION		± 1.0%	± 1.0%	± 1.0%	± 1.0%	
SETUP, RISE TIME		1200ms, 60ms/230Vac 2500ms, 60ms/115Vac at full load				
HOLD UP TIME (Typ.)		16ms/230Vac 8ms/115Vac at full load				
INPUT	AC VOLTAGE RANGE	85 ~ 264Vac				
	DC VOLTAGE RANGE	120 ~ 370Vdc				
	NO LOAD POWER CONSUMPTION (Typ.)	0.9W @115Vac & 230Vac		1W @115Vac & 230Vac		
	FREQUENCY RANGE	47 ~ 63Hz				
	EFFICIENCY (Typ.)	89%	91%	91%	91%	
	AC CURRENT (Typ.)	2.6A/115Vac 1.6A/230Vac				
	INRUSH CURRENT (Typ.)	COLD START 20A/115Vac 40A/230Vac				
	LEAKAGE CURRENT	<1mA / 240Vac				
PROTECTION	OVERLOAD	105~130% rated output power ,constant current limiting without shutdown, recovers automatically after fault condition is removed /230Vac 105~150% rated output power ,constant current limiting without shutdown, recovers automatically after fault condition is removed/115Vac				
	OVER VOLTAGE	15 ~ 18V	30 ~ 34V	43 ~ 50V	56 ~ 65V	
	OVER TEMPERATURE	Protection type : Shut down o/p voltage,recovers automatically after fault condition is removed				
FUNCTION	DC OK RELAY CONTACT	Relay Contact Ratings (max.):30Vdc/1A, 30Vac/0.5A resistive load				
ENVIRONMENT	WORKING TEMP.	Note.4 -40 ~ +70 °C (Refer to "Derating Curve")				
	WORKING HUMIDITY	20 ~ 95% RH non-condensing				
	STORAGE TEMP., HUMIDITY	-40 ~ +85 °C, 10 ~ 95% RH non-condensing				
	TEMP. COEFFICIENT	± 0.03% /°C (0 ~ 50°C)				
	VIBRATION	Component:10 ~ 500Hz, 2G 10min./1cycle, 60min. each along X, Y, Z axes; Mounting: Compliance to IEC60068-2-6				
SAFETY & EMC (Note 7)	SAFETY STANDARDS	UL161010; TUV BS EN/EN62368-1, BS EN/EN61558-1/-2-16, BS EN/EN61010; CB IEC62368-1, IEC61558-1, IEC61010; RCM AS/NZS 62368-1, AS/NZS 61558-1/-2-16; BIS IS13252 (Part 1):2010; BSMI CNS15598-1; CCC GB4943.1; EAC TPTC004 approved; KC KC62368-1 certified, no stock ,contact sale for inquires				
	OVER VOLTAGE CATEGORY	Note.4 IEC/EN 61558-1/-2-16 (OVC III, altitude up to 2000m) IEC/EN/UL 61010 (OVC II, altitude up to 5000m) IEC/EN 62368-1 (OVC II, altitude up to 5000m)				
	SAFETY EXTRA-LOW VOLTAGE(SELV)	IEC/EN 61558-2-16 (SELV) IEC/EN/UL 61010-2-201 (SELV) IEC/EN 62368-1 (SELV / ES1)				
	WITHSTAND VOLTAGE	I/P-O/P: 4KVac I/P-FG: 2KVac O/P-FG: 1.5KVac O/P-DC OK: 0.5KVac				
	ISOLATION RESISTANCE	I/P-O/P, I/P-FG, O/P-FG: 100M Ohms/500VDC/25 °C/ 70%RH				
	EMC EMISSION	Parameter	Standard		Test Level / Note	
			Conducted		BS EN/EN55032 (CISPR32) / BS EN/EN61204-3 / CNS15936	Class B
			Radiated		BS EN/EN55032 (CISPR32) / BS EN/EN61204-3 / CNS15936	Class B
			Harmonic Current		BS EN/EN61000-3-2	Class A
			Voltage Flicker		BS EN/EN61000-3-2	----
	EMC IMMUNITY	BS EN/EN55035, BS EN/EN61204-3, BS EN/EN61000-6-2(BS EN/EN50082-2)				
Parameter		Standard		Test Level / Note		
		ESD		BS EN/EN61000-4-2	Level 3, 8KV air ; Level 3, 4KV contact; criteria A	
		Radiated		BS EN/EN61000-4-3	Level 3, 10V/m ; criteria A	
		EFT / Burst		BS EN/EN61000-4-4	Level 2, 2KV ; criteria A	
		Surge		BS EN/EN61000-4-5	Level 4, 2KV/Line-Line ;Level 4, 4KV/Line-Line-Chassis ;criteria A	
		Conducted		BS EN/EN61000-4-6	Level 3, 10V ; criteria A	
		Magnetic Field		BS EN/EN61000-4-8	Level 4, 30A/m ; criteria A	
	OTHERS	MTBF	2201.7K hrs min. Telcordia SR-332 (Bellcore) ; 440.4K hrs min. MIL-HDBK-217F (25 °C)			
DIMENSION		30*125.2*116mm (W*H*D)				
PACKING		430g; 24pcs/11.3Kg/1.27CUFT				
NOTE	<p>1. All parameters NOT specially mentioned are measured at 230Vac input, rated load and 25 °C of ambient temperature.</p> <p>2. Ripple & noise are measured at 20MHz of bandwidth by using a 12" twisted pair-wire terminated with a 0.1 μ F & 47 μ F parallel capacitor.</p> <p>3. Tolerance : includes set up tolerance, line regulation and load regulation.</p> <p>4. When the temperature is between -40 ° C and -20 ° C and the input voltage is between 85V and 90V, the temperature derating curve drops to 40% .</p> <p>5. The ambient temperature derating of 3.5 °C/1000m with fanless models and of 5 °C/1000m with fan models for operating altitude higher than 2000m(6500ft).</p> <p>6. Installation clearances : 40mm on top, 20mm on the bottom, 5mm on the left and right side are recommended when loaded permanently with full power. In case the adjacent device is a heat source, 15mm clearance is recommended.</p> <p>7. The power supply is considered a component which will be installed into a final equipment. The final equipment must be re-confirmed that it still meets EMC directives. (as available on https://www.meanwell.com/Upload/PDF/EMI_statement_en.pdf)</p> <p>※ Product Liability Disclaimer : For detailed information, please refer to https://www.meanwell.com/serviceDisclaimer.aspx</p>					

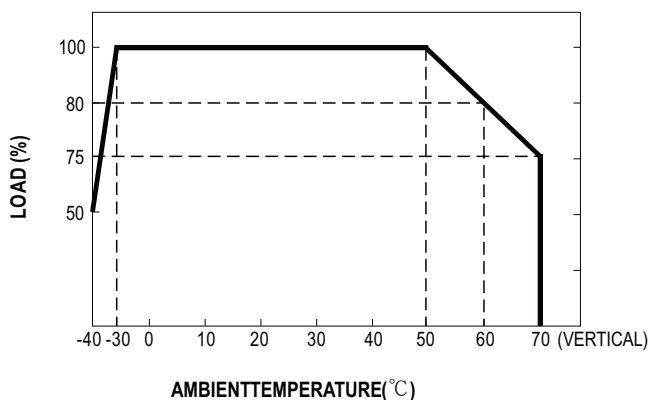


150W AC/DC Economical Ultra Slim Industrial DIN Rail Power **XDR-150E** series

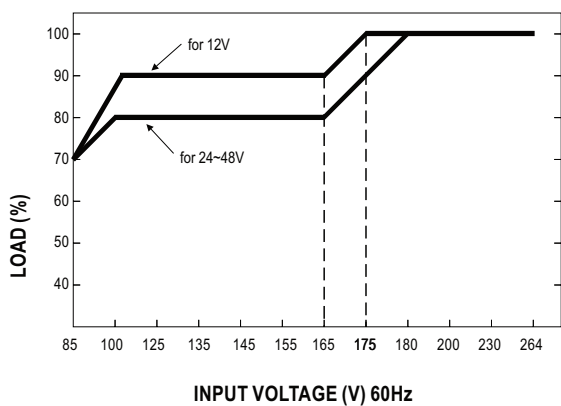
■ Block Diagram



■ Derating Curve



■ Static Characteristics



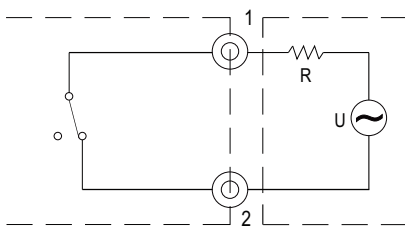


150W AC/DC Economical Ultra Slim Industrial DIN Rail Power **XDR-150E** series

Function Manual

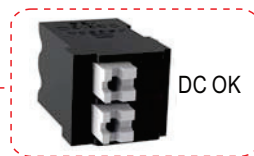
1. DC OK Relay Contact

Contact Close	PSU turns ON / DC OK.
Contact Open	PSU turns OFF / DC Fail.
Contact Ratings (max.)	30Vdc/1A, 30Vac/0.5A resistive load.



External voltage source (U) and resistor (R)
(The max. Sink is 30Vdc/1A, 30Vac/0.5A)

Internal circuit of DC_OK, via relay contact



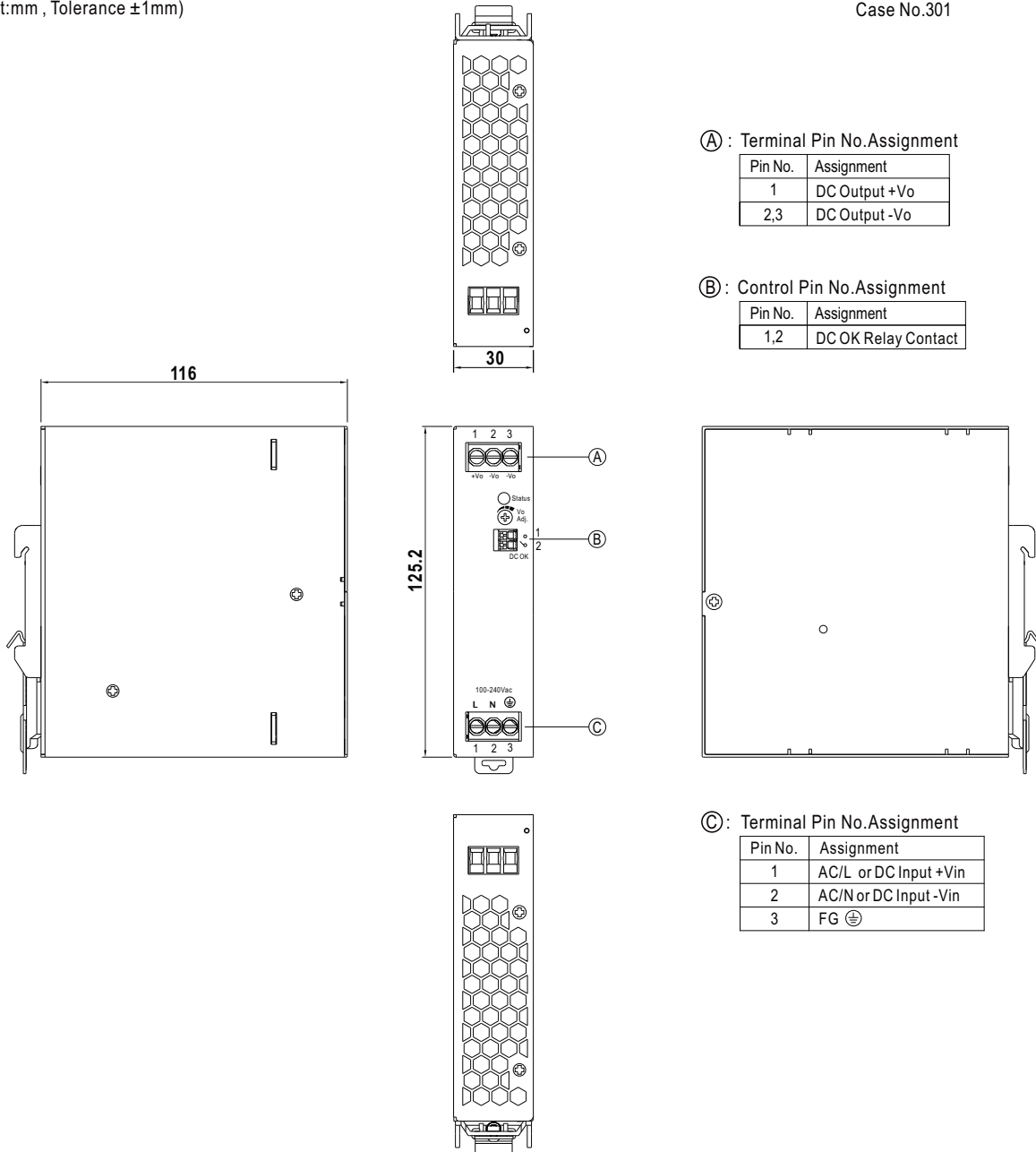


150W AC/DC Economical Ultra Slim Industrial DIN Rail Power **XDR-150E** series

■ Mechanical Specification

(Unit:mm , Tolerance ± 1 mm)

Case No.301



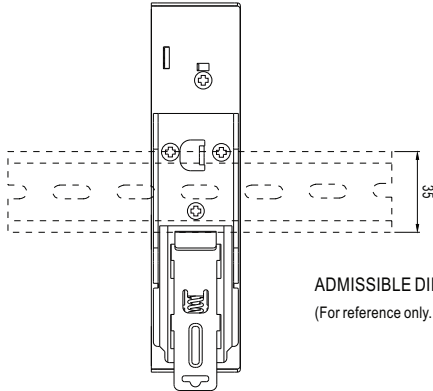
■ Recommend Wiring

	AC Input T.B	DC Output T.B	Signal connector
Solid Wire	6mm ² max.	6mm ² max.	1.5mm ² max.
A.W.G	22~10 AWG	22~10 AWG	24~16 AWG
Screw Terminal Torque	9 Lb-In	9 Lb-In	/



150W AC/DC Economical Ultra Slim Industrial DIN Rail Power **XDR-150E** series

■ Installation Instruction



ADMISSIBLE DIN-RAIL: TS35/7.5 OR TS35/15
(For reference only. Not included with unit.)

This series fits DIN rail TS35/7.5 or TS35/15.
For installation details, please refer to the Instruction manual.

■ Installation Manual

Please refer to : <http://www.meanwell.com/manual.html>